

Prima di usare il prodotto leggere attentamente le istruzioni contenute nel presente libretto. VORTICE non potrà essere ritenuta responsabile per eventuali danni a persone o cose causati dal mancato rispetto delle indicazioni di seguito elencate, la cui osservanza assicurerà invece la durata e l'affidabilità, elettrica e meccanica, dell'apparecchio.  
Conservare sempre questo libretto d'istruzioni.

Indice	IT
Descrizione ed impiego	5
Conformità d'uso	5
Sicurezza	6
Struttura e dotazione	7
Installazione VORT HRW 30 MONO EVO	8
Installazione VORT HRW 40 MONO EVO	11
Utilizzo (fig. 25)	14
Sequenze programmazione parametri	18
Telecomando IR (solo modelli HCS)	20
Dati tecnici	23
Manutenzione/ pulizia	25
Smaltimento	26

**Read the instructions contained in this booklet carefully before using the appliance. VORTICE cannot assume any responsibility for damage to property or personal injury resulting from failure to abide by the instructions given in this booklet. Following these instructions will ensure a long service life and overall electrical and mechanical reliability. Keep this instruction booklet in a safe place.**

Index	EN
Description and use	27
Compliance	27
Safety	28
Structure and equipment	29
VORT HRW 30 MONO EVO installation	30
VORT HRW 40 MONO EVO installation	33
Use (fig. 25)	36
Parameters programming sequences	40
IR Remote Control (HCS models only)	42
Technical data	45
Maintenance and cleaning	47
Disposal	48

Avant d'utiliser le produit, lire attentivement les instructions contenues dans cette notice. La société VORTICE ne pourra être tenue pour responsable des dommages éventuels causés aux personnes ou aux choses par suite du non-respect des instructions ci-dessous.  
Le respect de toutes les indications reportées dans ce livret garantira une longue durée de vie ainsi que la fiabilité électrique et mécanique de l'appareil. Conserver toujours ce livret d'instructions.

Index	FR
Description et mode d'emploi	49
Conformité d'utilisation	49
Sécurité	50
Structure et matériel fourni	51
Installation VORT HRW 30 MONO EVO	52
Installation VORT HRW 40 MONO EVO	55
Utilisation (fig. 25)	58
Séquences programmation paramètres	62
Télécommande IR (modèles HCS)	64
Caractéristiques techniques	67
Entretien et nettoyage	69
Élimination	70

Vor Installation und Anschluss dieses Produkts müssen die vorliegenden Anleitungen aufmerksam durchgelesen werden. VORTICE kann nicht für Personen- oder Sachschäden zur Verantwortung gezogen werden, die auf eine Nichtbeachtung der Hinweise in dieser Betriebsanleitung zurückzuführen sind. Befolgen Sie alle Anweisungen, um eine lange Lebensdauer sowie die elektrische und mechanische Zuverlässigkeit des Geräts zu gewährleisten. Diese Betriebsanleitung ist gut aufzubewahren.

Betriebsanleitung	DE
Beschreibung und Gebrauch	71
Übereinstimmung	71
Sicherheit	72
Aufbau und Ausstattung	73
Installation VORT HRW 30 MONO EVO	74
Installation VORT HRW 40 MONO EVO	77
Gebrauch (Abb. 25)	80
Programmierauf Parameter	84
Fernbedienung IR (nur Modelle HCS)	86
Technische Angaben	89
Wartung und Reinigung	91
Entsorgung	92

## **Description and use**

**VORT HRW MONO EVO** (hereinafter "device") is a decentralized heat recovery ventilation system, which can be installed on perimeter walls with thickness between 260 mm (283 for VORT HRW 40 MONO EVO) and 700 mm.

The device is available in four versions:

- Installation inside holes with a nominal diameter of 100 mm and a maximum air flow rate (in boost mode) of 38 m<sup>3</sup>/h:
  - **VORT HRW 30 MONO EVO** with on-board machine controls.
  - **VORT HRW 30 MONO EVO HCS** with remote control and relative humidity, temperature and ambient light sensors.
- Installation inside holes with a nominal diameter of 160 mm and a maximum air flow rate (in boost mode) of 40 m<sup>3</sup>/h:
  - **VORT HRW 40 MONO EVO** with on-board machine controls.
  - **VORT HRW 40 MONO EVO HCS** with remote control and relative humidity, temperature and ambient light sensors.

Humidity, temperature and ambient light sensors, integrated in HCS versions, allow the automatic operation of the device ("Auto HR%", "Auto Comfort", "Auto night" functions).

- Maximum absorbed power VORT HRW 30 MONO EVO: 4W.
- Maximum absorbed power VORT HRW 40 MONO EVO: 5W.

### **Common features for all models:**

- 5 speeds corresponding to 5 airflows.
- 1 input suitable for remote connection with cable compatible with external modules "VORTICE C TEMP" (temperature sensor) and "VORTICE C HCS" (humidity sensor) or equivalent. Cable length ≤ 30m.
- 1 direct output for fan control.
- RS485 communication BUS to synchronize together pairs of devices.
- Long-term timer (3/6/12 months) with daily increase for filter clogging control.
- Insulation class: II.
- Power supply: 220-240V ~ 50-60Hz.

## **Compliance**

- This appliance can be used by children no less than 8 years of age and by individuals with limited physical, sensory or mental capacities, or by inexperienced or untrained individuals, provided that they are supervised or have been instructed in safe use of the appliance and understand the associated risks. Children must not play with the appliance. Cleaning and maintenance procedures that can be undertaken by the user must not be entrusted to children, unless under supervision.
- These appliances are designed for use in residential and commercial properties.
- The appliance must be installed by a professionally qualified electrician.
- The electrical system to which the product is connected must be in compliance with applicable regulations.
- An omnipolar switch with a contact opening distance of 3 mm or higher should be provided for installation, enabling complete disconnection under overvoltage category III conditions.
- Products equipped with single-phase wiring (M) engines ALWAYS require connection to 220-240V (or only 230V where required) single-phase lines. Any kind of modification shall be considered as product tampering and shall nullify the relative warranty.

- Precautions must be taken to prevent gas coming from the gas flue pipe or from other fuel combustion units from entering into the room.
- Fans have been designed to be mounted on external walls.

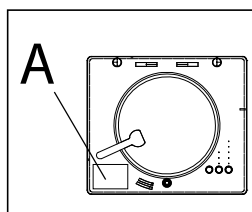
**Safety**

**Warning:**  
 **this symbol indicates that care must be taken to avoid injury to the user.**

- Follow the safety instructions to prevent any harm to the user.
- Do not use this appliance for purposes other than those described in this manual.
- Having removed the appliance from its packaging, make certain that it is intact and undamaged. If in doubt, consult a professional or contact an authorized VORTICE Service Centre.
- Do not leave packaging within reach of children or individuals with disabilities.
- Certain basic rules must always be observed when using any electrical appliance: never touch the appliance with wet or damp hands; never touch the appliance when barefoot.
- Do not operate the appliance in the presence of flammable substances or vapours, such as alcohol, insecticides, petrol, etc.
- If the appliance is to be disconnected from the power supply and no longer used, store it out of reach of children and individuals with disabilities.

**Caution:**  
 **this symbol indicates that care must be taken to avoid damaging the appliance**

- Do not make modifications of any kind to this appliance.
- The maintenance instructions must be followed to ensure the appliance does not suffer damage and/or excessive wear.
- Do not expose this appliance to the elements (rain, sun, etc.).
- Do not stand objects on the appliance.
- The inside of the appliance must be cleaned only by a skilled professional.
- Inspect the appliance periodically for visible defects. If the appliance is defective in any way, do not use it; contact a VORTICE authorized Technical Support Centre without delay.
- If the appliance does not function correctly or develops a fault, contact a VORTICE authorized Technical Support Centre without delay. Ensure that only genuine original VORTICE spares are used for any repairs.
- Should the appliance be dropped or suffer heavy impact, have it checked without delay by a VORTICE authorized Technical Support Centre.
- The appliance must be installed in such a way as to ensure that under normal operating conditions, no one can come into contact with any moving parts or live electrical components.
- In the event of: dismantling the appliance with the appropriate tools, removing the heat exchanger for cleaning recommended: every six months) or removing the motor module, the appliance must first be switched off and disconnected from the electrical power supply.
- Connect the appliance to the electrical power supply/socket only if the rated power of the supply is compatible with the maximum rated power of the appliance. If not, contact a professional electrician without delay.
- Turn off the appliance at the main switch: if the appliance does not function correctly, before cleaning the outside of the appliance, or if the appliance is not going to be used for any length of time.
- The flow of extracted air must be clean (i.e. free of grease, soot, chemical and corrosive agents and explosive or flammable mixtures).
- Keep the air intake and outlet ports of the appliance free of obstructions, to ensure optimum air flow.
- Operating temperature range: -20 ÷ 50°C.
- Specifications for the power supply must correspond to the electrical data on the plate (A).



**Structure and equipment**

Components common to all models

The main components of the device are:

- main body (1) already assembled which includes:
  - Body with pre-assembled plug-in terminal block, frontal grille and aesthetic panel in polycarbonate (PC) tested according to standard UNI EN ISO 11925-2:2010 and resulted in class E for reaction to fire (according to the EN 13501-1 standard).
  - Motor holder and push-button panel in ABS material.
  - 5-speed reversible EC fan.
  - Integrated electronic board.
  - Closing device (disk) sealing the front panel to prevent temperature changes in the winter months and the entry of pollutants and odors from the outside.
  - Washable internal filter with frame.
- Flange (2) wall mountable with pre-assembled terminal block.
- Terminal block cover with screw and cable gland (3).
- PVC pipe for installation inside walls with thickness from 260 mm (283 mm VORT HRW 40 MONO EVO) to 700 mm (optional).

VORT HRW 30 MONO EVO

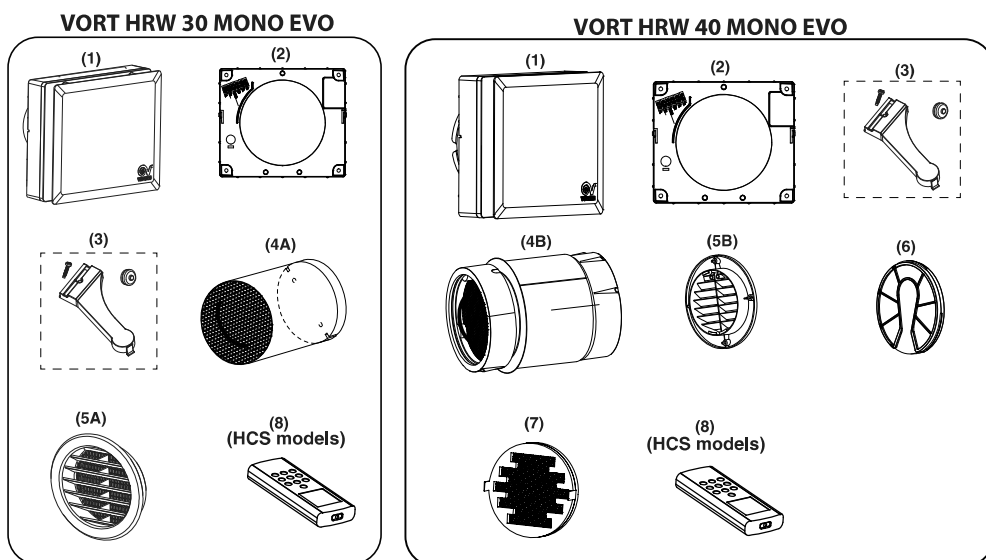
- Storage type heat exchanger, made of ceramic material with external filter already assembled (4A)
- External ventilation grille (d.100 T10 RB) in plastic material, externally mountable. Grid equipped with anti-insect net (5A).

VORT HRW 40 MONO EVO

- Storage type heat exchanger, made of ceramic material supplied with two expanded polypropylene (EPP) housings and it is complete with a central gasket to prevent air infiltration (4B).
- Outer rubber grille (5B), which can be mounted externally with plugs or inserted internally through the hole in the wall with no need for external scaffolding.
- Washable external filter with holder grids (x2) (6).
- Insect grid (7).

VORT HRW 30 MONO EVO HCS / VORT HRW 40 MONO EVO HCS

- Remote control (8).



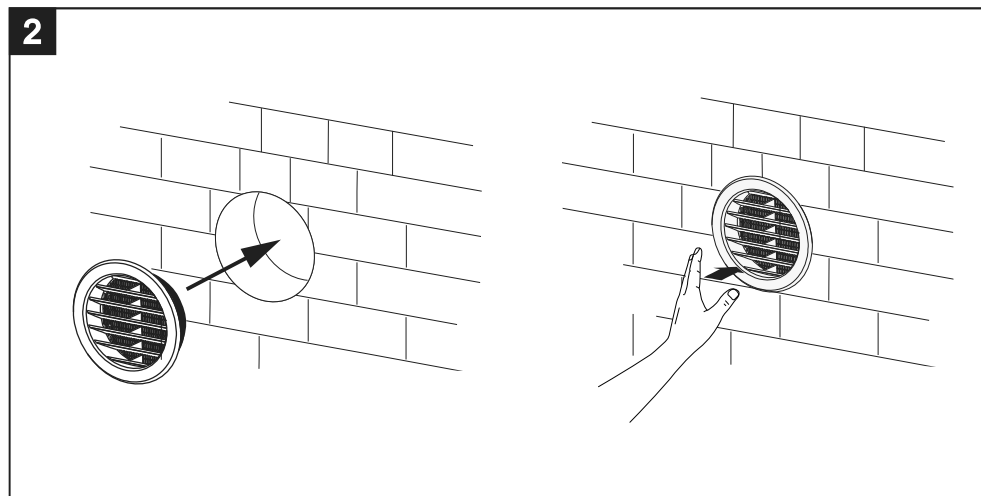
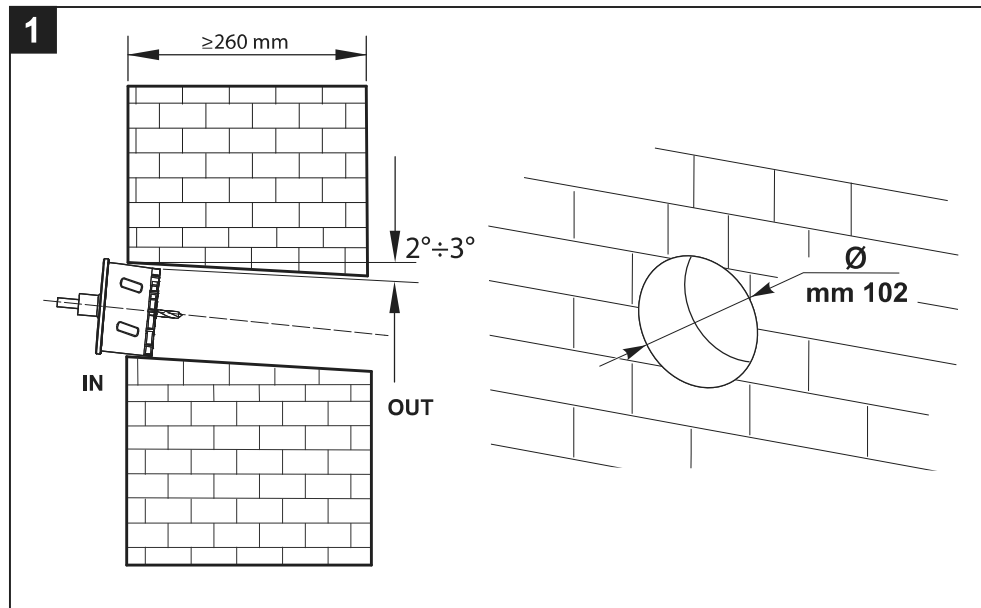
## **VORT HRW 30 MONO EVO installation**

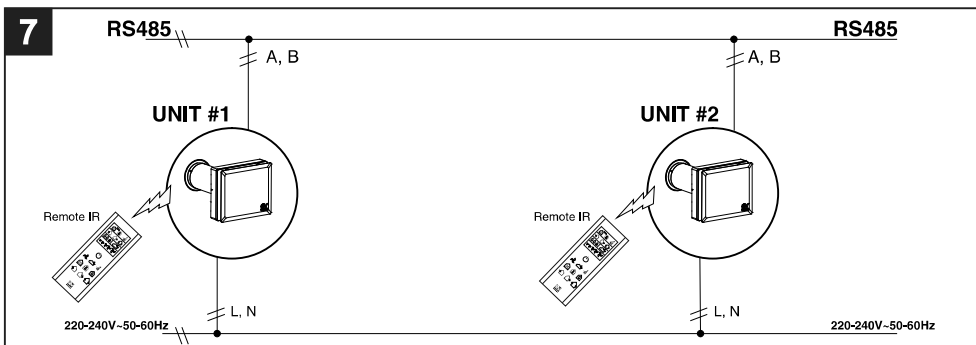
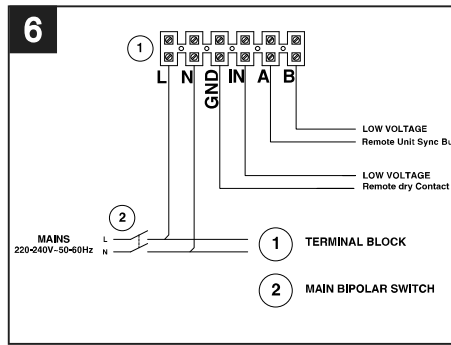
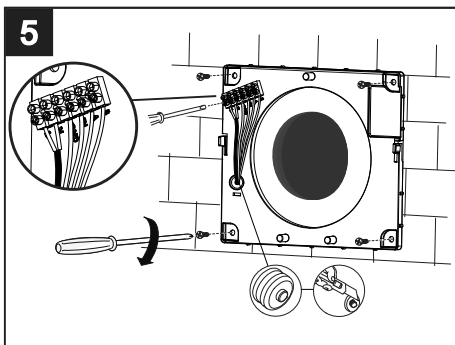
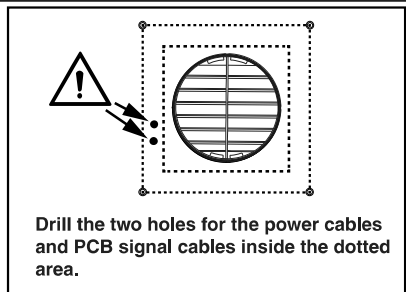
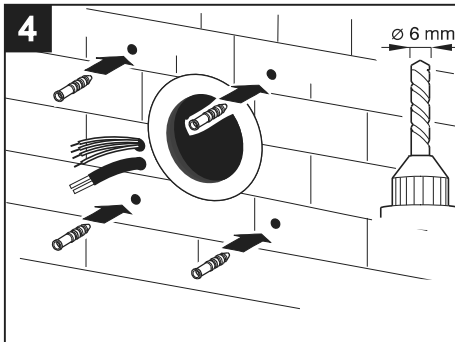
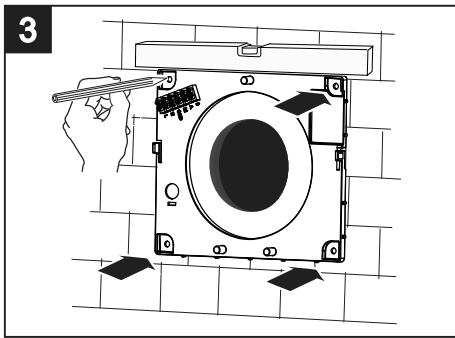
Fig 1 ÷ 11

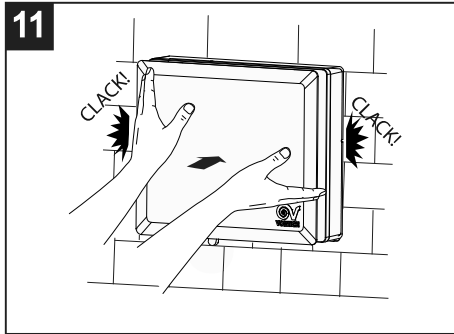
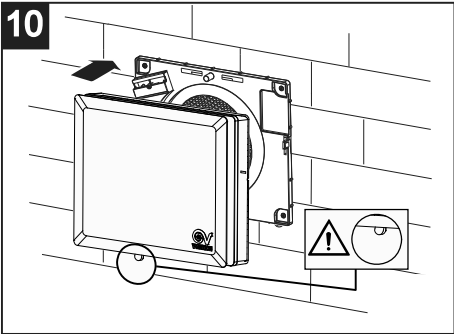
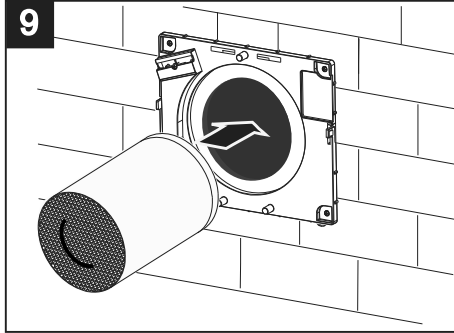
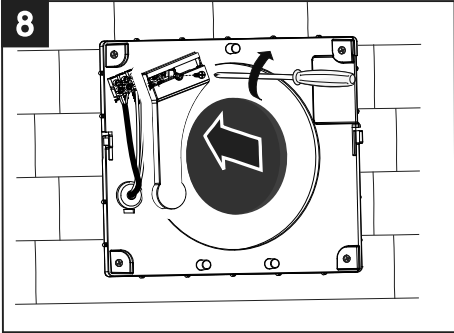
**NOTE:** before proceeding with the installation, remove the internal protective packaging in the appliance.

**NOTE:** before carrying out installation, remove the spacers inside the PVC installation pipe (provided as accessory) and cut the pipe according to the wall thickness.

It is mandatory to install VORT HRW 30 MONO EVO within a perimeter wall with a thickness of at least 260 mm.







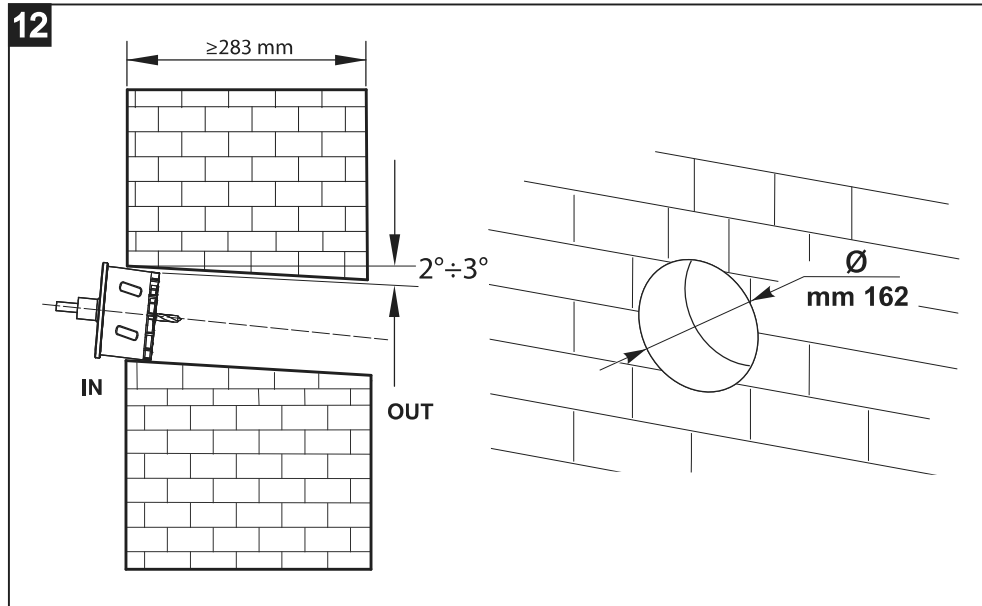
## **VORT HRW 40 MONO EVO installation**

Fig 12 ÷ 24

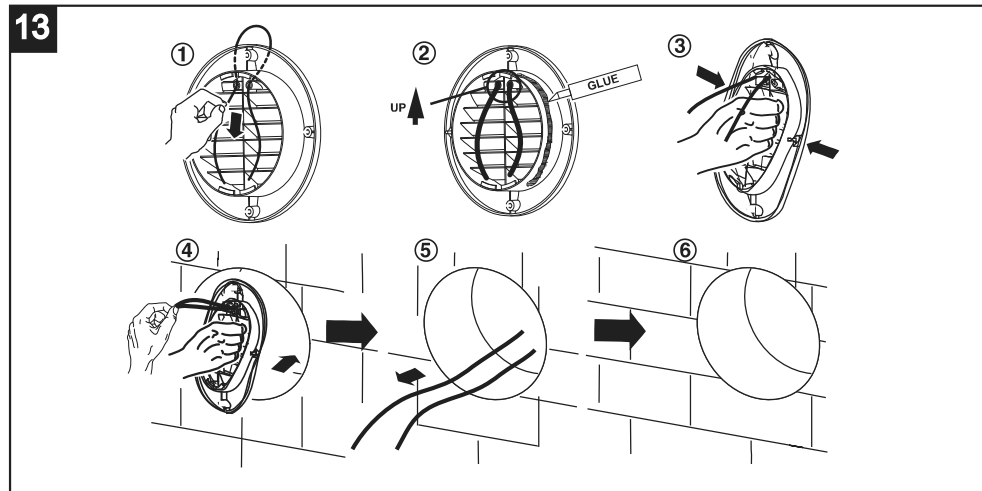
**NOTE: before proceeding with the installation, remove the internal protective packaging in the appliance.**

**NOTE: before carrying out installation, remove the spacers inside the PVC installation pipe (provided as accessory) and cut the pipe according to the wall thickness.**

It is mandatory to install **VORT HRW 40 MONO EVO** within a perimeter wall with a thickness of at least 283 mm.

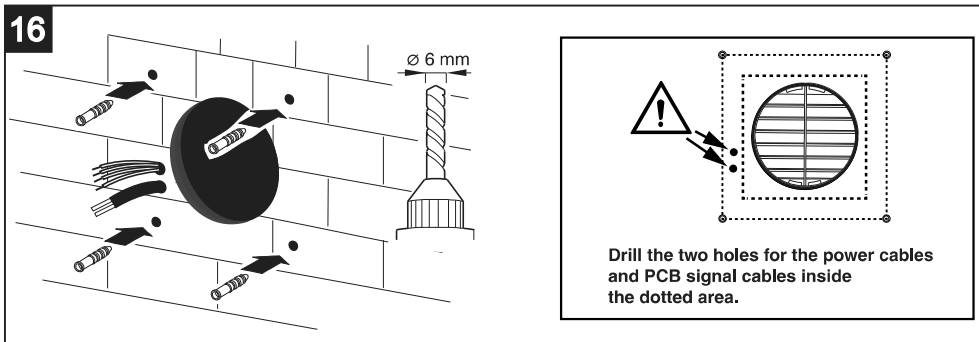
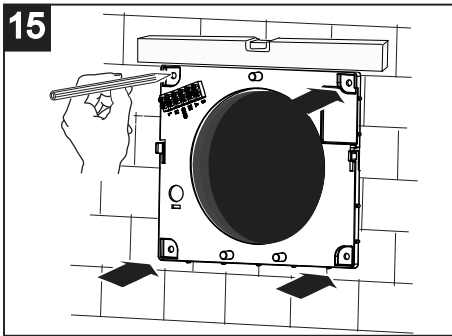
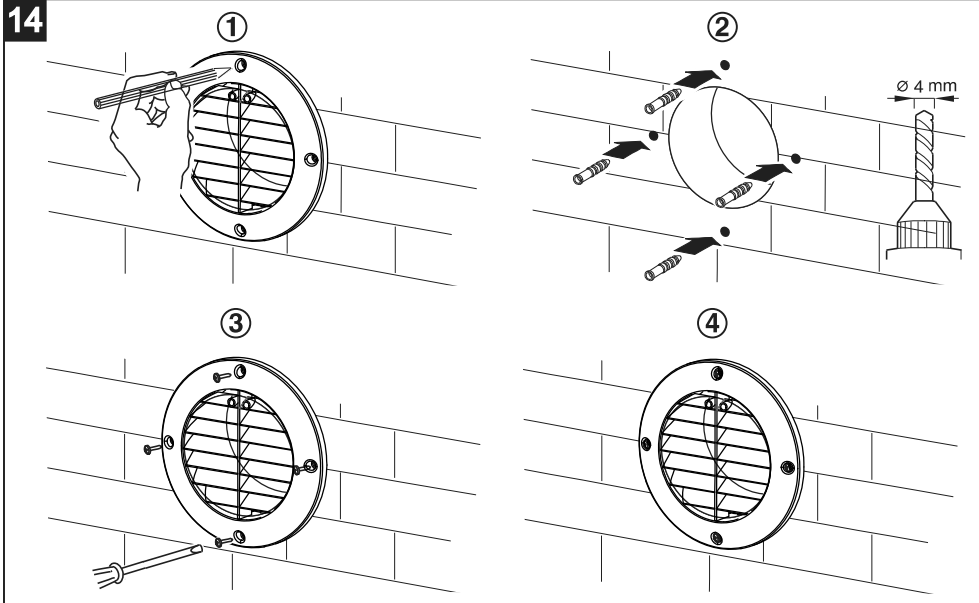


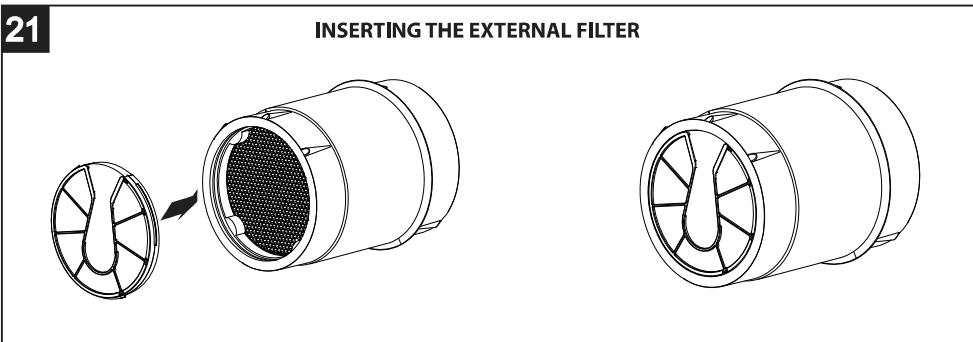
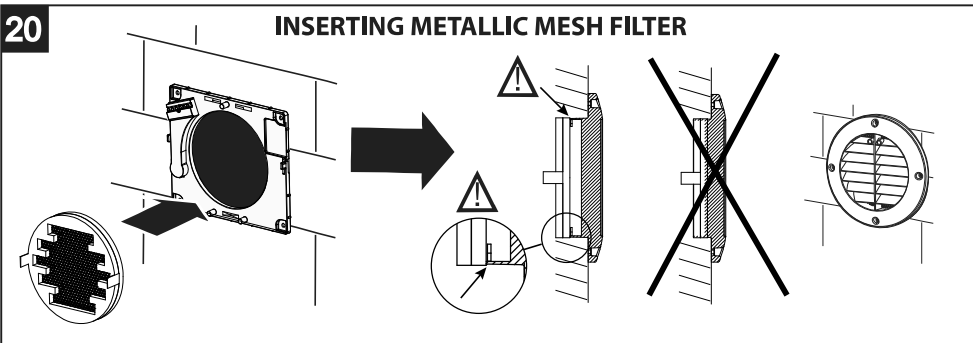
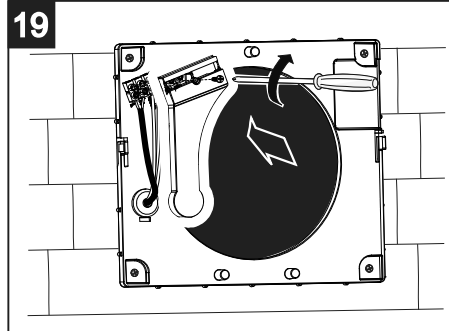
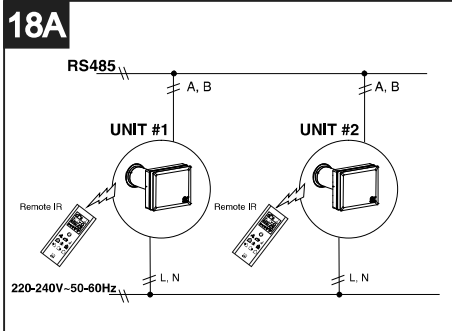
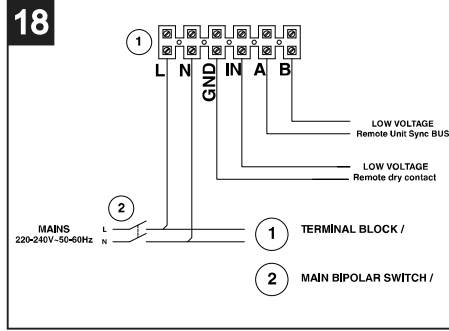
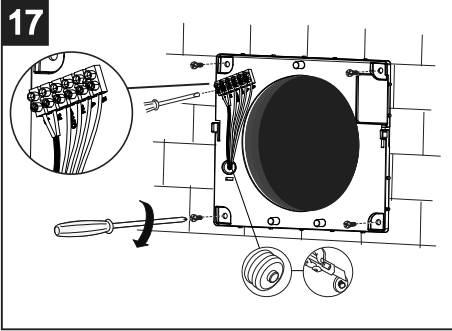
### **VORT HRW 40 MONO EVO - GRILLE MOUNTING - FROM INSIDE**

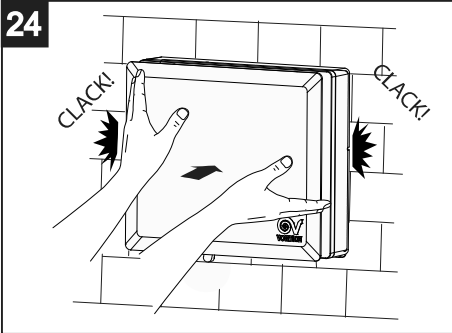
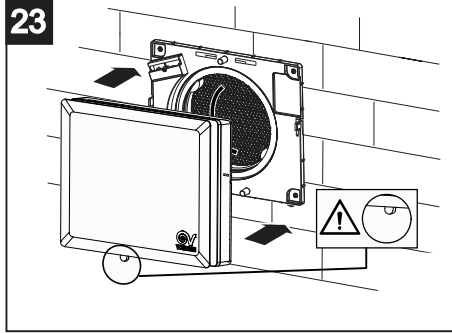
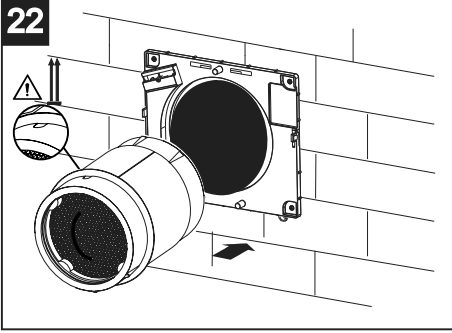




VORT HRW 40 MONO EVO - GRILLE MOUNTING - FROM OUTSIDE

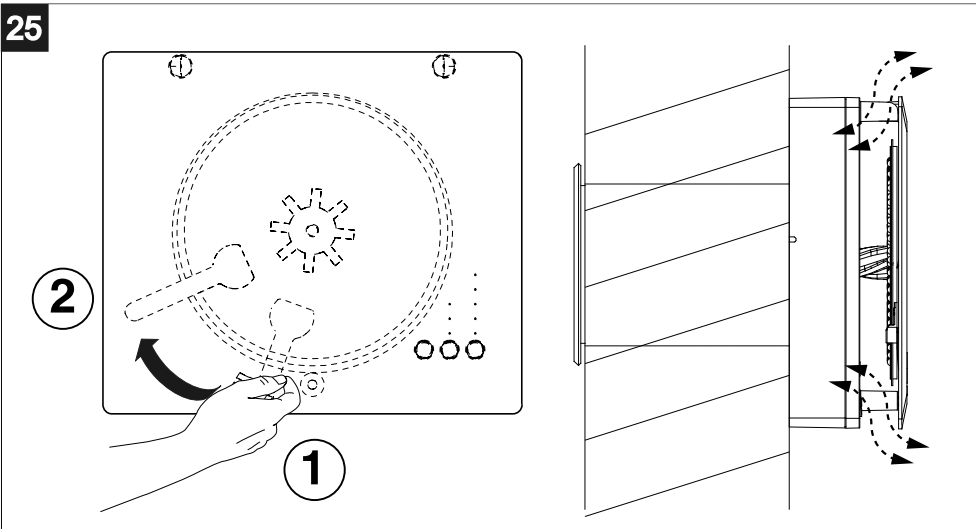






**Use (fig. 25)**

To use the appliance, make sure the lever of the closing disk is in the open position, by rotating the lever to position 2.

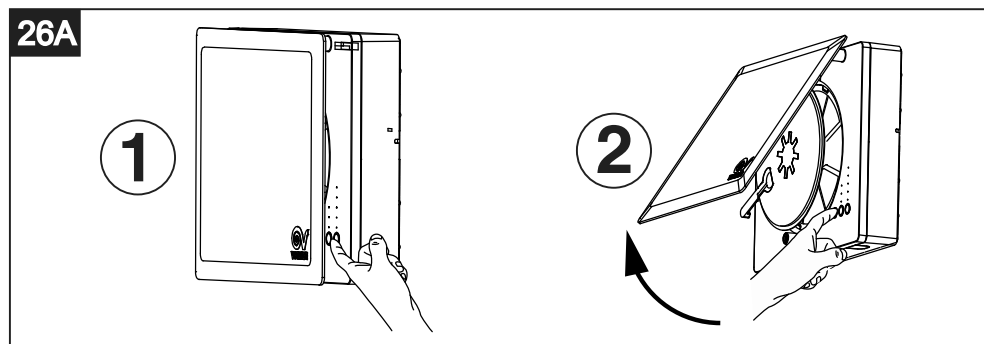


## DESCRIPTION OF THE UNIT COMMANDS

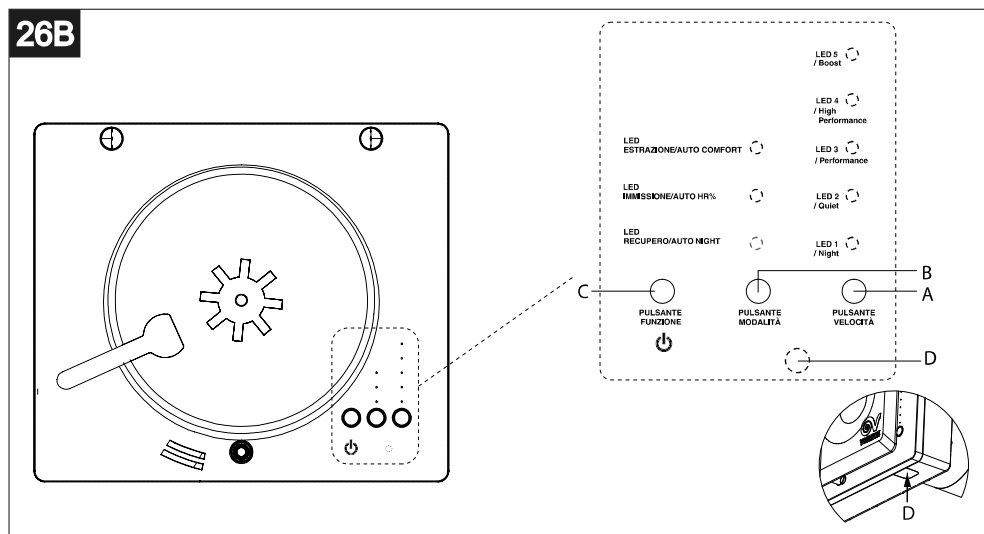


Warning (fig. 26A):

The control panel is accessible by inserting the hand in the space between the cover and the front grille (1) or by lifting up the cover (2).



The device is controlled by means of on-board buttons (Fig. 26B).



**A: SPEED KEY:** 5 position selector (Night / Quiet / Performance / High performance / Boost).  
LED 1- LED 5: speed / air flow from min to max. Press the button cyclically to select the desired value. The white LEDs from 1 to 5 will light up to indicate the speed from 1 to 5.

**B: MODE KEY:** three position selector. Press repeatedly to cycle through the different modes: recovery, intake, extraction, natural ventilation (intake and extraction LEDs switch on simultaneously).

The respective LEDs will light up steadily:

- **RECOVERY** heat recovery (the system works like a heat recovery unit, with cyclic inversion of the direction of rotation).
- **INTAKE** the system operates as a fan, with room air intake.
- **EXTRACTION** the system works as a fan, with air extraction from the room.
- **NATURAL VENTILATION** If the device is connected to one or more units via RS485 communication bus, you can set the NATURAL VENTILATION mode: if set as an even unit the device will operate in extraction mode, if set as an odd unit the device will operate in intake mode, creating an air current in the environment.

**Note 1:** In the HCS versions, natural ventilation can be selected automatically via the external IR remote

control (see fig. 30).

**Note 2:** The RS485 bus allows to balance the air flow rates of intake and extracted air, provided that the total number of installed units is equal to an even number. For example, 4 units can be connected on the RS485 bus setting two units as "even" and two units as "odd". In the case of an installation of an odd number of units, the air flows balancing will not occur.

**Note 3:** To see how to set the device as an even or an odd unit, refer to the section "parameter programming sequences".

**Note 4:** The backlighting of the keys on the device remains active for one minute from the last press of any key.

**Note 5:** The backlighting of the keys on the remote control of HCS versions remains active for 15 seconds from the last press of any key.

**C: FUNCTION KEY** to activate or deactivate the 3 different AUTO functions available and activate or deactivate the stand-by mode.

**To activate or deactivate the stand-by mode:**

If the device is switched on and the FUNCTION key is pressed (stand-by / on-off function), the fan stops and the LEDs of the SPEED column turn off. If the appliance is off and you press the FUNCTION button, the appliance starts at the speed and mode previously set.

The available functions are:

- **Auto night (only for HCS models)**

The ambient light sensor detects the presence or absence of ambient light and, depending on whether the measurement is higher or lower than the threshold value set via SW (fixed value that cannot be changed by the user) it allows or prevents both the switch to a speed higher than the minimum both the transition to boost speed via remote input or HR% sensor.

Therefore, at night when the presence of daylight is not detected, the appliance switches to minimum speed preventing the switch to a speed higher than the minimum one.

When the presence of daylight is detected again, the appliance returns to operate at the previously set speed, and it is allowed the switch to higher speeds or boost via remote input or HR% sensor.

- **Auto HR%**

In case of presence of humidity beyond the alarm threshold (60%, 75% or 90% - the default value is 75%), it is automatically selected the extraction mode at maximum speed.

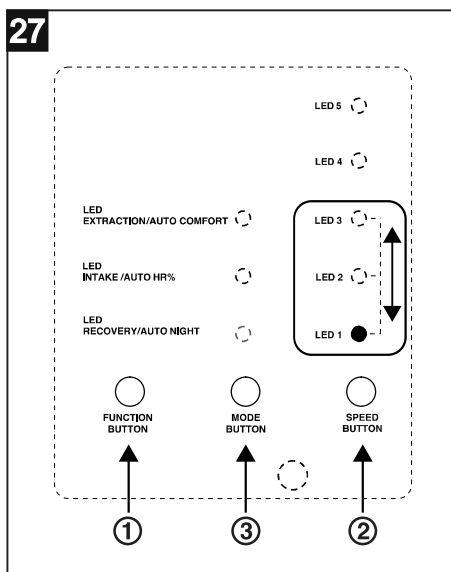
- **Auto comfort**

In heat recovery mode, the period that determines the inversion of rotation of the fans is fixed based on the temperature of the air introduced into the room: if too cold, the cycle time is reduced.

**To enable a function (fig. 27):**

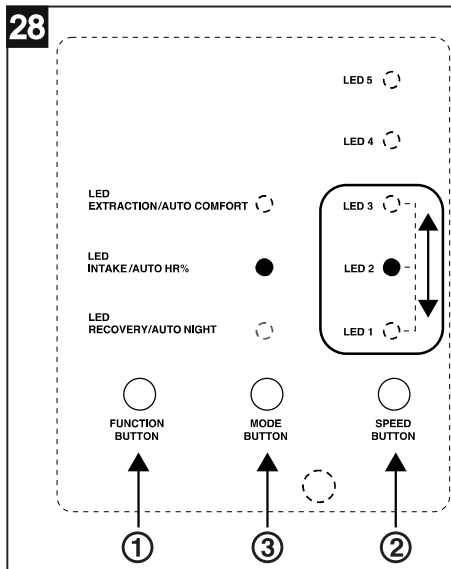
- 1) press the FUNCTION button for more than 2 seconds.
- 2) press the SPEED button to select one of the three LEDs (LED 1, LED 2, LED 3) corresponding to the AUTONIGHT / AUTO HR% / AUTO COMFORT functions.
- 3) press the MODE button to enable the function -> the chosen LED in the mode column blinks.
- 4) to SAVE the settings, press the FUNCTION button for more than 2 seconds. All SPEED LEDs blink 4 TIMES to indicate correct storage.
- 5) to CANCEL and exit the setting procedure, press the FUNCTION key once. All SPEED LEDs blink ONLY ONCE WITHOUT SAVING any changes made.
- 6) to CHECK which function is assigned to the appliance, press the FUNCTION button for more than 2 seconds: the LED corresponding to the set function blinks for about 20 seconds, then all the speed LEDs flash and the device returns to standard display.

**Note:** The user can enable all the three functions simultaneously.



## To disable a function (fig. 28):

- 1) press the FUNCTION button for more than 2 seconds.
- 2) press the SPEED button to select one of the three LEDs (LED 1, LED 2, LED 3) corresponding to the AUTONIGHT / AUTO HR% / AUTO COMFORT function to be disabled.
- 3) press the MODE button to disable the function.
- 4) to SAVE the settings, press the FUNCTION button for more than 2 seconds. All SPEED LEDs blink 4 TIMES to indicate correct storage.
- 5) to CANCEL and exit the setting procedure, press the FUNCTION key once. All SPEED LEDs blink ONLY ONCE WITHOUT SAVING any changes made.
- 6) to CHECK which function is assigned to the appliance, press the FUNCTION button for more than 2 seconds: the LED corresponding to the set function blinks for about 20 seconds, then all the speed LEDs flash and the device returns to standard display.



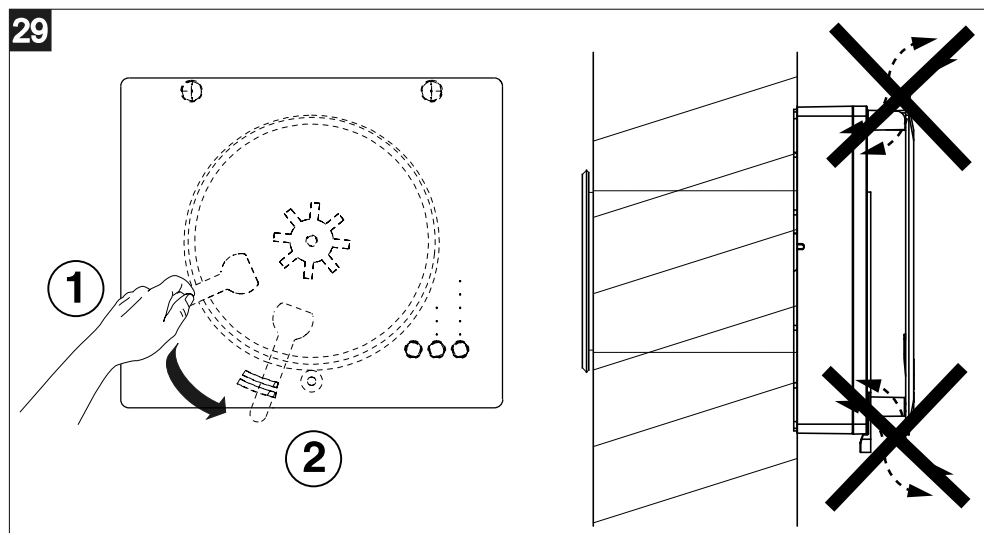
## D: FILTER LED

One led (D - fig. 26B) shows the status of the filters:

- LED OFF: filters are clean
- LED ON: filters to be cleaned or replaced (for each day of operation, a counter in the memory is increased and when the maximum preset time is reached (90/180/365 days), the signalling LED lights up). Refer to section "maintenance and cleaning".

## CLOSING OF THE DEVICE

To avoid air to come inside the room, set the device in stand-by mode by pressing the FUNCTION key (LEDs in the SPEED column switch off) and turn the lever to close position (fig. 29).



## **Parameters programming sequences**

By means of appropriate actions on the keyboard buttons, it is possible to reset the clogged filter counter, or program the unit's operating parameters, as specified below:

### **To entry in programming mode:**

- Press simultaneously all the three buttons (SPEED - MODE - FUNCTION).
- LED 5 turns on white.
- Press the buttons in the following sequence: SPEED - SPEED - MODE - FUNCTION - FUNCTION – MODE.

### **To set the relative humidity threshold:**

- Press the SPEED button.
- The currently set threshold is displayed by lighting one of the white LEDs 1, 2 or 3 depending on whether the value is 60%, 75% or 90% (the default value is 75%).
- Press SPEED button to modify the threshold value.
- Press the FUNCTION button to confirm.
- All the speed LEDs from 1 to 5 will blink briefly to indicate that the value has been stored and the device will return to normal operation.
- If you do not press the FUNCTION button within 20 sec, the device will return to normal operation without storing.

### **To select cycle time:**

- Press MODE button.
- The currently set time is displayed by lighting one of the white LEDs in position 1, 2 or 3 depending on whether the time is 50, 60 or 90s. (Default value = 60s).
- Press the SPEED button to change the value.
- Press the FUNCTION button to confirm.
- All the speed LEDs from 1 to 5 will flash briefly to indicate successful storage and the device will return to normal operation.
- If the FUNCTION button is not pressed within 20 sec, the device will return to normal operation without memorizing.

**NOTE: Cycle time programming can only be carried out on the unit set as master.**

### **To select the clogged filter alarm interval:**

- Press the FUNCTION button.
- The time currently set is displayed by lighting one of the white LEDs in position 1, 2 or 3 depending on whether the interval is equal to 90, 180 or 365 days.
- Press the SPEED button to modify the value.
- Press the FUNCTION button to confirm.
- All the speed LEDs from 1 to 5 will blink briefly to indicate that the storage has taken place and the equipment will return to normal operation.
- If the FUNCTION key is not pressed within 20 sec, the device will return to normal operation without memorizing.

### **To reset the clogged filter counter:**

- Press the SPEED - MODE - FUNCTION buttons simultaneously.
- Press the buttons in the following sequence: Mode - Mode - Speed - Speed - Mode - Mode.
- Press the Function key within 20 sec.
- All the speed LEDs from 1 to 5 will blink briefly to indicate that the reset has taken place and the device will return to normal operation.
- If the FUNCTION button is not pressed within 20 sec, the device will return to normal operation without having reset the filter timer.



**Note: for regular operation between multiple devices, it is necessary to set the type of unit (Master / Slave and Even / Odd)**

### **To set the device as "RS485 network master":**

- Press simultaneously the SPEED - MODE - FUNCTION buttons.
- Press in sequence the following buttons: MODE - MODE - SPEED - SPEED - FUNCTION - FUNCTION.
- Press the Mode button within 20 sec.
- All speed LEDs from 1 to 5 will blink briefly to indicate that the device has been set as master unit.
- If you do not press the MODE button within 20 sec, the device will return to normal operation without making any changes to the settings.

## To set the device as "RS485 network slave":

- Press simultaneously the SPEED - MODE - FUNCTION buttons.
- Press in sequence the following buttons: MODE - MODE - SPEED - SPEED - FUNCTION - FUNCTION.
- Press the SPEED button within 20 sec.
- All speed LEDs from 1 to 5 will blink briefly to indicate that the device has been set as Slave.
- If the SPEED button is not pressed within 20 sec, the device will return to normal operation without making any changes to the settings.

## To set the device as "Even Unit":

- Press simultaneously the buttons: SPEED - MODE - FUNCTION
- Press in sequence the buttons: SPEED - SPEED - FUNCTION - FUNCTION - MODE - MODE.
- Press the SPEED button within 20 sec.
- All speed LEDs from 1 to 5 will blink briefly to indicate that the device has been set as an even numbered unit.
- If the SPEED button is not pressed within 20 sec, the device will return to normal operation without making any changes to the settings.

## To set the device as an "Odd Unit":

- Press simultaneously the SPEED - MODE - FUNCTION buttons.
- Press in sequence the buttons SPEED - SPEED - FUNCTION - FUNCTION - MODE - MODE.
- Press the FUNCTION key within 20 sec.
- All speed LEDs from 1 to 5 will blink briefly to indicate that the device has been set as an odd-numbered unit.
- If the Function button is not pressed within 20 sec, the device will return to normal operation without making any changes to the settings.

## Remote I/O

The connected device can be remotely controlled via clean contacts on remote input 1. If the remote input is active, the keyboard on the machine is disabled.


- Remote input # 1:
  - With input contact 1 closed, all the connected fans work in extraction at maximum speed.
  - If 20 seconds since the last key press have not elapsed:
    - The white EXTRACTION LED lights up.
    - The white 1,2,3,4,5 LEDs light up.








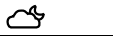

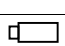


**IR remote control (HCS models only)**

HCS models are equipped with a remote control with LCD display. By default the recovery function, the auto-comfort, auto HR% and autonight modes are active. The humidity threshold is set at the maximum value (90%) and the speed is set to the maximum in order to obtain the maximum air flow rate (5 fans displayed). The remote control transmits its default state to the device and consequently updates the state on the appliance. If the state of the device does not synchronize with the state of the remote control, point the remote control towards the device and press a button on the remote control to activate the synchronization. After inserting the batteries, the remote control is active. After pressing the ON / OFF button, the display looks like in figure 30:

30




FUNCTION	Default state	LCD ICON
HEAT RECOVERY MODE	ON	
AUTO COMFORT FUNCTION	ON	
TIMED BOOST FUNCTION	OFF	
SUPPLY MODE	OFF	
EXTRACTION MODE	OFF	
NATURAL VENTILATION	OFF	
AUTO HR % (60% - 75% - 90%)	HIGH (90% - three drops on)	
AUTO NIGHT	ON	
FAN SPEED	HIGH (five fans displayed)	
LOW BATTERY	OFF	

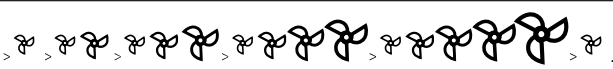
Keys description:

- ON/OFF FUNCTION 


Press ON/OFF  key to start the device or to select the STANDBY mode.

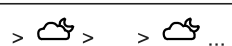
- FAN SPEED FUNCTION 

Fan speed selection is always available. Press Fan key  to select fan speed (MINIMUM \LOW\MED\HIGH\BOOST). Fan speed mode will cycle as below:


FAN SPEED	LCD ICON
>MINIMUM > LOW > MED > HIGH > BOOST > MINIMUM...	

- "AUTO NIGHT" FUNCTION 

NIGHT AUTO function is always available. Press NIGHT AUTO button  at any time to toggle NIGHT AUTO function on and off.

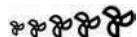
AUTO NIGHT	LCD ICON
>ON > OFF > ON >...	




• “TIMED BOOST” FUNCTION 

Press TIMED BOOST button  at any time to toggle TIMED BOOST function ON and OFF.


**NOTE:** If TIMED BOOST function is ON, TIMED BOOST icon remains active for 30 minutes and then switches off. If TIMED BOOST is ON and then TIMED BOOST key is pushed, then TIMED BOOST icon will immediately switch off.


**NOTE:** If TIMED BOOST function is ON, then the five fan speed icon must be ON:







TIMED BOOST	LCD ICON
>ON > OFF > ON >...	>  > icon OFF >  ...
ON >...	>  > icon OFF after 30 minutes


• “HEAT RECOVERY” MODE 



Press “heat recovery button”  at any time to select HEAT RECOVERY mode.

HEAT RECOVERY	LCD ICON
>ON	> 

NOTE: if HEAT RECOVERY button  is pushed, then SUPPLY icon  , EXTRACT icon  , NATURAL VENTILATION icon  will switch off.






• “AUTO COMFORT” FUNCTION 


Press AUTO COMFORT button  at any time to toggle AUTO COMFORT function ON and OFF.

AUTO COMFORT	LCD ICON
>ON > OFF > ON >...	>  > icon OFF5 >  ...


• HUMIDITY THRESHOLD 





Press UMIDITY THRESHOLD button  to select UMIDITY THRESHOLD value (OFF/LOW/MED/HIGH). UMIDITY THRESHOLD value will cycle as in the following table:

HUMIDITY THRESHOLD VALUES	LCD ICON
>OFF >LOW > MED > HIGH ...	>icon off >  >  >  >  >  ...

- "SUPPLY" MODE 


Press the "supply" button  at any time to select SUPPLY mode.





SUPPLY	LCD ICON
>ON	> 

NOTE: if SUPPLY button is pushed , then HEAT RECOVERY icon , EXTRACTION icon  and NATURAL VENTILATION icon  will switch off.

- "EXTRACTION" mode 

Press "extraction" button  to select this mode.





EXTRACTION	LCD ICON
>ON	> 

NOTE: if EXTRACTION button is pushed, , then HEAT RECOVERY icon , SUPPLY icon  and NATURAL VENTILATION icon  will switch off.


- "NATURAL VENTILATION" mode

Press NATURAL VENTILATION button  to select this mode.

NATURAL VENTILATION	LCD ICON
>ON	> 

NOTE: if NATURAL VENTILATION button  is pushed, then HEAT RECOVERY icon , SUPPLY icon  and EXTRACTION icon  will switch off.

- “Low battery indication” function

When the remote control has been used for a long time and there is not enough power left, the remote control will show “low battery indication”  on the LCD, it shows the user needs to replace a new battery. It will blink all the time until the battery has been replaced.

- “Backlight” function

When using the remote control, the LEDs backlight is on. If the remote control has not been used for 10 seconds, the backlight function is turned off for energy saving.

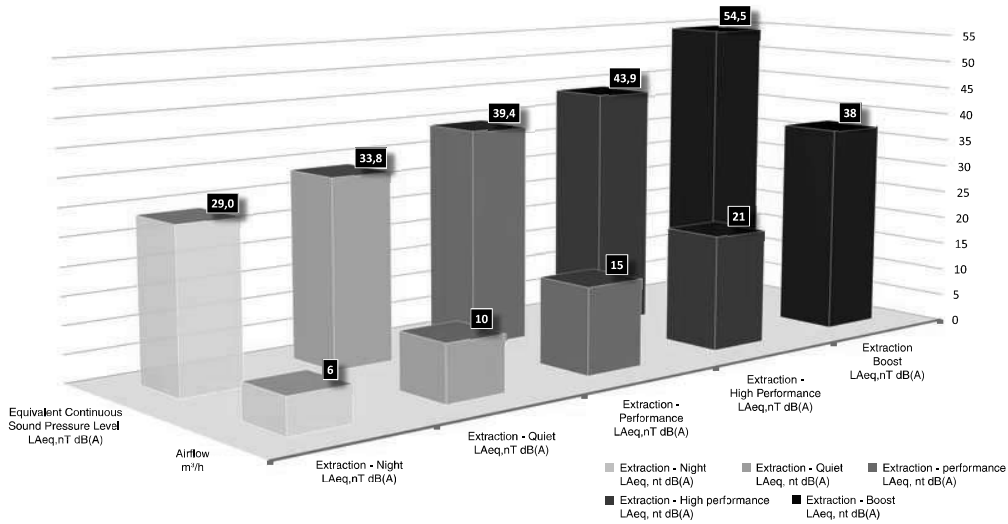
“Reset” function

A small hole in the back of the remote control works as reset function.

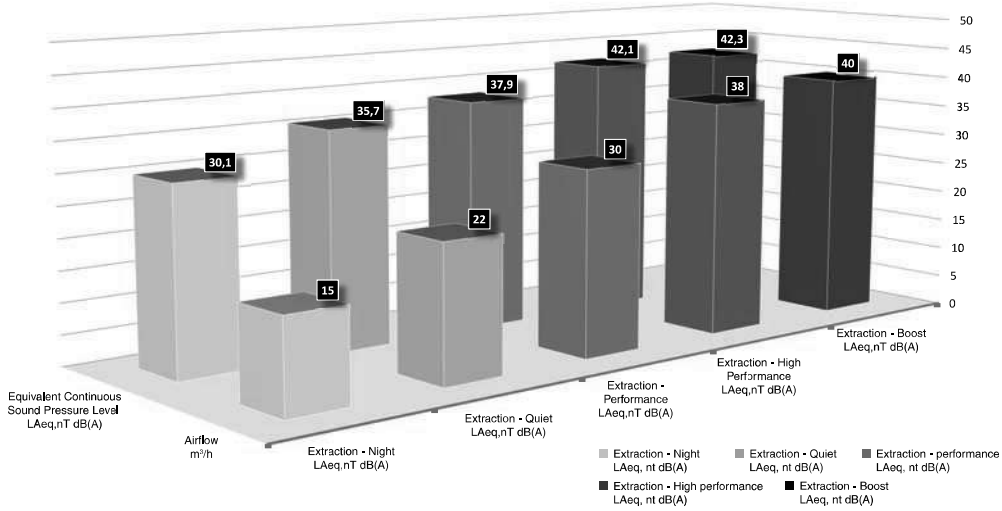
## Technical data

Model		VORT HRW 30 MONO EVO	VORT HRW 30 MONO EVO HCS	VORT HRW 40 MONO EVO	VORT HRW 40 MONO EVO HCS
Max absorbed power (W)		4		5	
Nominal duct diameter (mm)		100		160	
Airflow max (m <sup>3</sup> /h)	Night	6		15	
	Quiet	10		22	
	Performance	15		30	
	High Performance	21		38	
	Boost	38		40	
Sound power level Lw [dB(A)]	Night	36,6		36,5	
	Quiet	41,2		38,4	
	Performance	49,5		42,9	
	High Performance	53,1		48,1	
	Boost	66,8		49,3	
Pressure max (Pa)	Night	10		17	
	Quiet	20		24	
	Performance	40		37	
	High Performance	45		46,5	
	Boost	135		47	
Sound pressure level Lp [dB (A)] 3m	Night	19,1		19,0	
	Quiet	23,7		20,9	
	Performance	32,0		25,4	
	High Performance	35,6		30,6	
	Boost	49,2		31,8	
Equivalent Conti- nuous Sound Pressure Level [LAeq,nT dB(A)]	Night	29,0		30,1	
	Quiet	33,8		35,7	
	Performance	39,4		37,9	
	High Performance	43,9		42,1	
	Boost	54,5		42,3	

VORT HRW 30 MONO EVO - Chart Airflow / Equivalent Continuous Sound Pressure Level (EXTRACTION)



VORT HRW 40 MONO EVO - Chart Airflow / Equivalent Continuous Sound Pressure Level (EXTRACTION)



**Maintenance and cleaning**

Before starting any maintenance or cleaning operation set the device to standby mode (LEDs in SPEED column turn off) and wait for the fan to stop.

**Filters cleaning**

The maintenance time for filters can be set to 90, 180 or 365 days (see specific section in the "programming sequence").

Cleaning /replacement of internal filter (fig. 31): TRemove the closing disk (1), remove the filter (2), wash or replace it and reposition it in its seat with the filter frame; re-insert the closing disk.

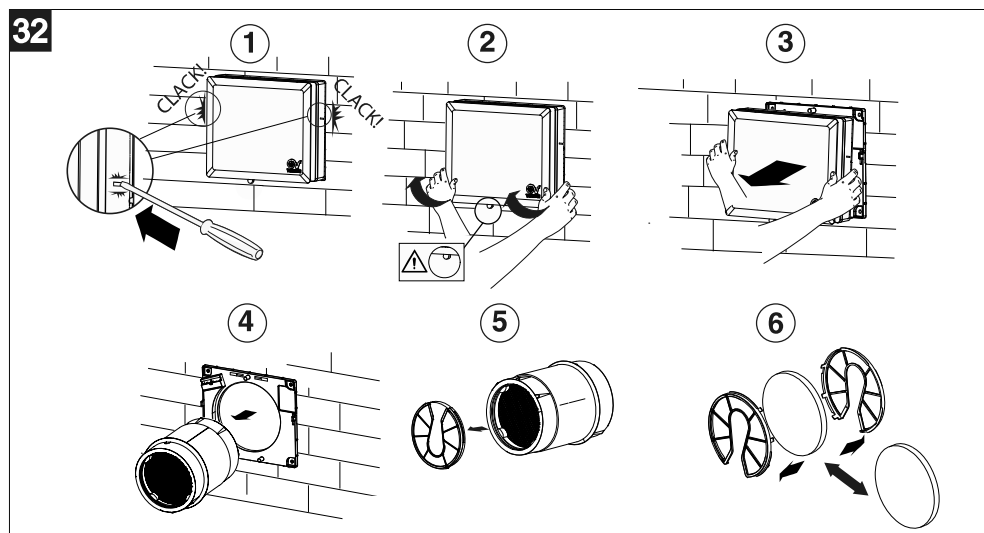
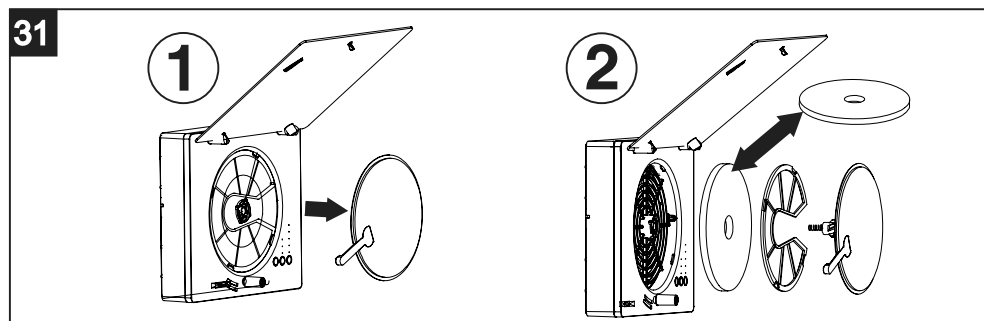
Cleaning /replacement of external filter for VORT HRW 40 MONO EVO (fig. 32): follow the steps from 1 to 6 and repeat them in the reverse order once the filter has been cleaned or removed.

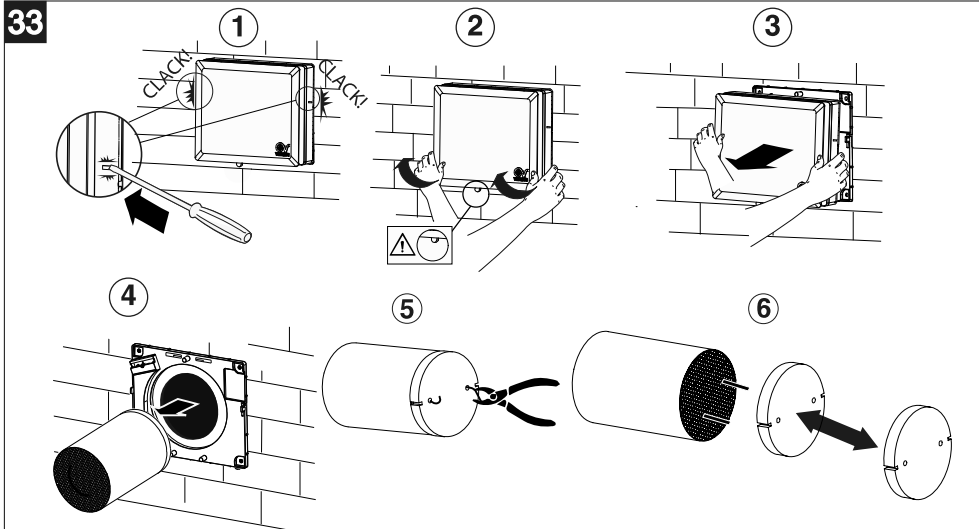
Cleaning/ replacement of external filter for VORT HRW 30 MONO EVO (fig. 33): follow the steps from 1 to 6 and repeat them in the reverse order once the filter has been cleaned or removed.

On every model it is mandatory to reset the saturated filter situation by following the procedure described in the section "parameters programming sequence", before returning to the normal functioning of the device.

N.B. Failure to clean or replace filters causes problems for system efficiency, including:

- Increase in pressure losses in the air circuit and reduction of air flow;
- Consequent decrease in machine yield and worsening of comfort in the environment.





**Disposal**

This product complies with Directive 2012/19/EU on the management of waste electrical and electronic equipment (WEEE).

The crossed-out wheeled bin symbol on the appliance indicates that, at the end of its life, the product should not be discarded together with household waste but must be taken to a separate collection point for electrical and electronic equipment. This will avoid negative effects on the environment and health, and will encourage correct treatment, disposal and recycling of the materials from which the product is made.



Contact the municipal authority for the location of this type of facility. Alternatively, the distributor is obliged to take back the appliance to be disposed of free of charge in exchange for the purchase of an equivalent appliance.

